

P
Paulmann

Safety Instructions

1, 2, 3, 4, 5, 6, 7, 10, 12, 13, 15, 16, 19, 20, 21, 22, 24, 28, 33, 34

31.08.2021
ENERGY LABEL 874/2012
A++ - A

01.09.2021
ENERGY LABEL 2019/2015
G

www.paulmann.com/symbols

Paulmann Licht GmbH
Quezinger Feld 2
31832 Springe
Germany
www.paulmann.com

Art.-Nr.: 934.46/47, 934.48/49, 934.52/53, 934.54/50, 934.51/55, 934.56, 944.71
(+MA326) PSU 07/22

CE UK CA

934.46/934.48: 1x, 1x, Incl., 3x, 3x, Incl.

934.47/934.49/934.52/944.71: 3x, 3x, Incl.

934.53: 1x, 1x, Incl.

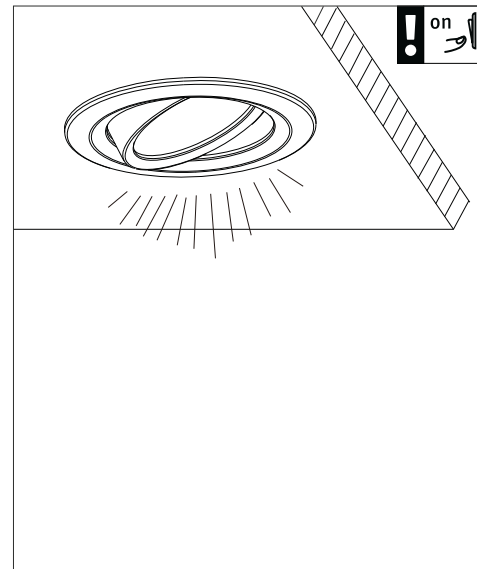
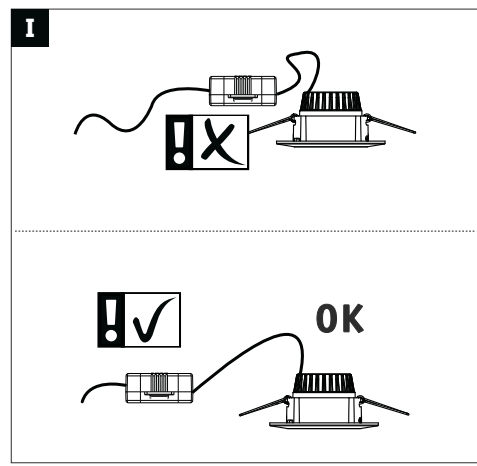
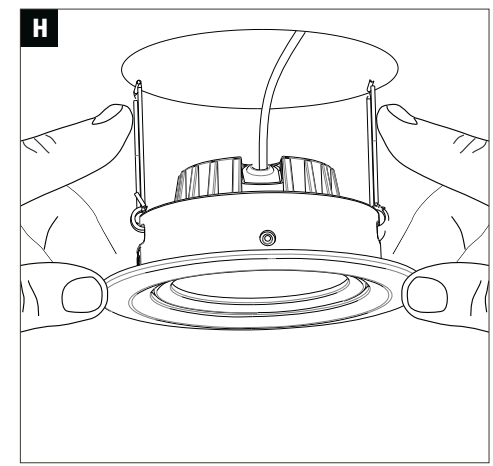
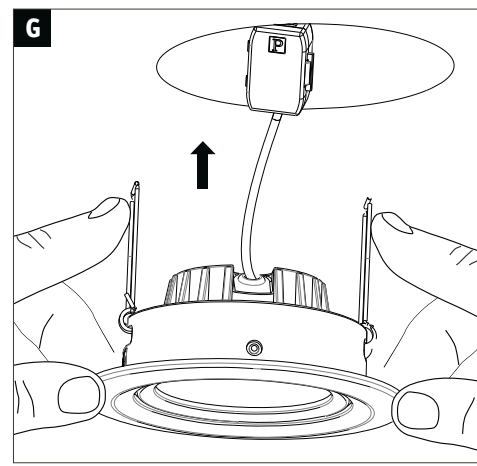
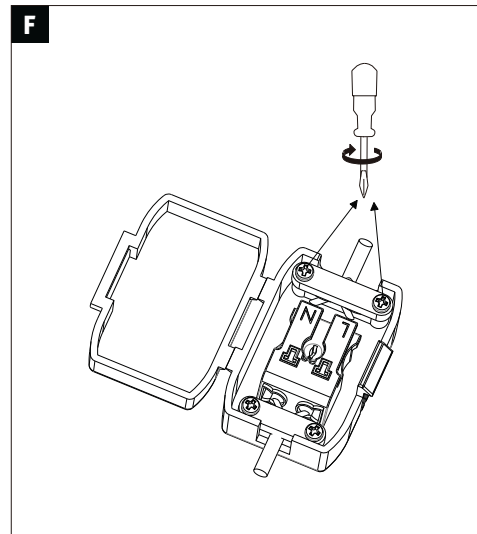
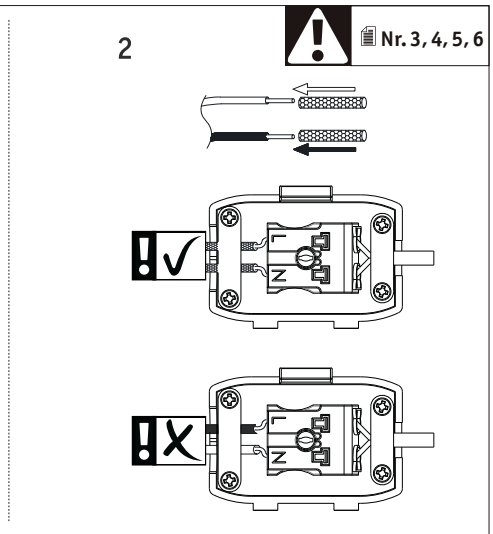
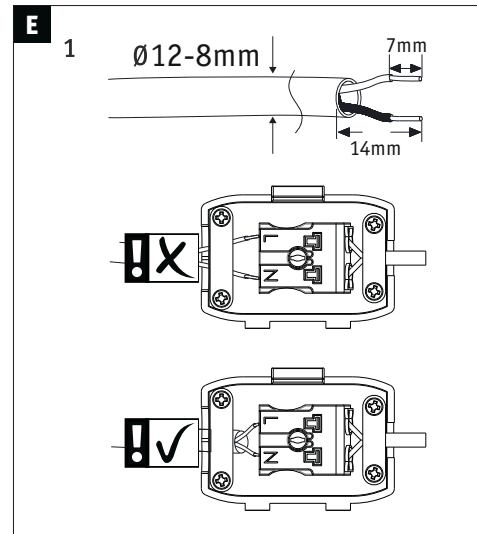
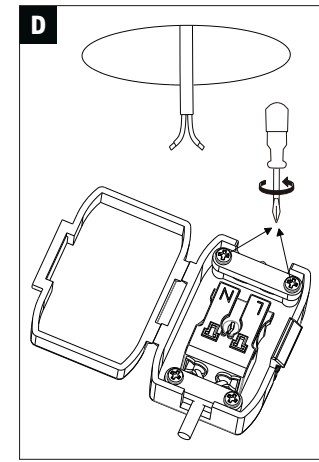
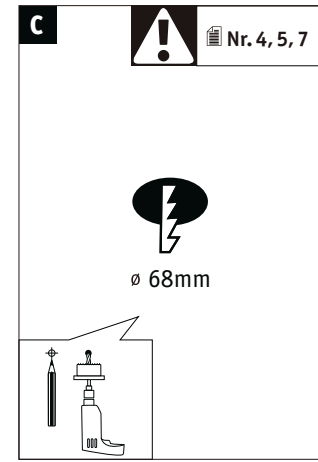
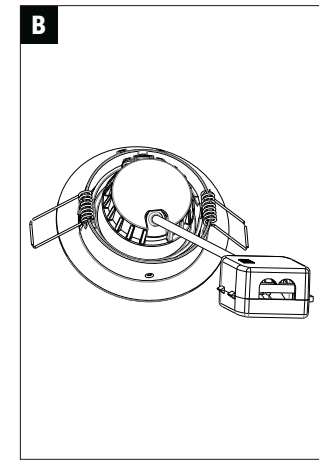
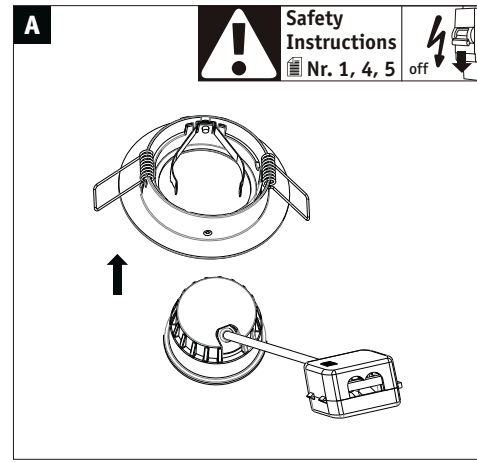
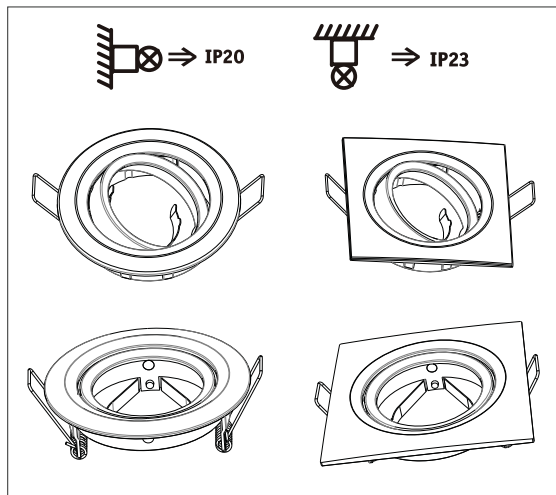
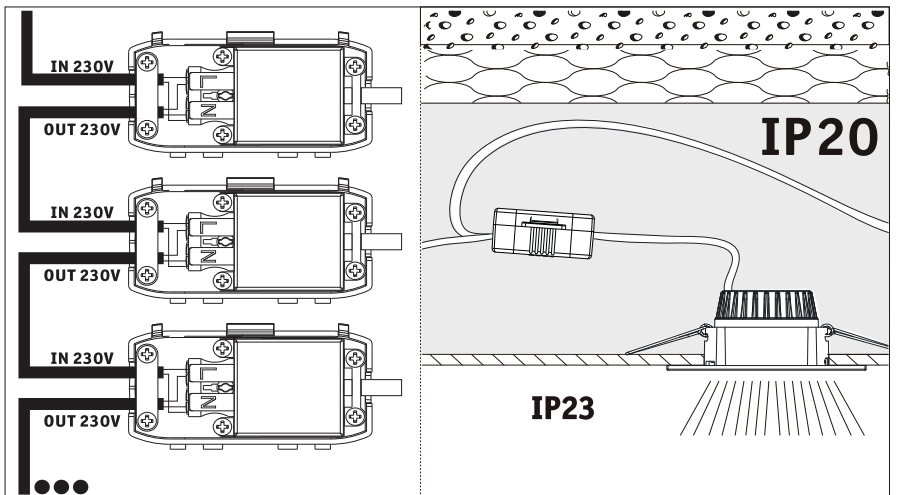
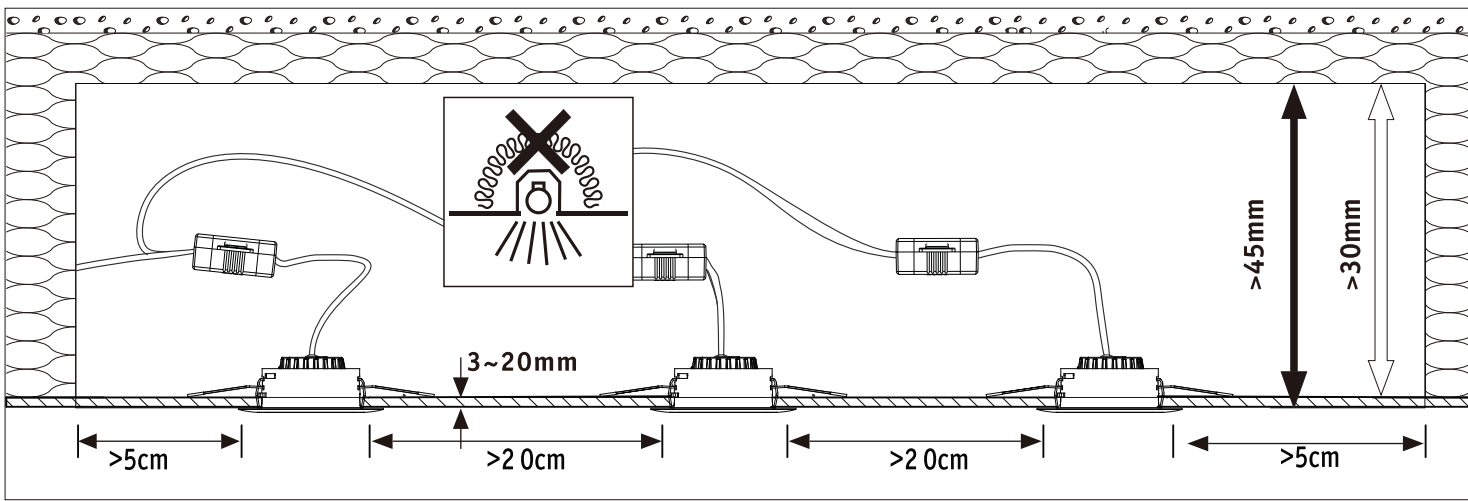
934.54: 3x, 3x, Incl.

934.50: 1x, 1x, Incl.

934.51: 3x, 3x, Incl.

934.55: 1x, 1x, Incl.

934.56: 3x, 3x, Incl.



ENERGY LABEL

Paulmann

470 lm
6W
230V

warm white
2700K

CRI/Ra ≥ 85

ON OFF >50.000

≈30x 1.000h

Lumen 60% 2 s

6 kWh/1000h

2019/2015

CE UK CA

390093069

