



Paulmann

### Safety Instructions

1, 2, 3, 4, 5, 6, 7, 10, 12, 13, 15, 16, 19, 20, 21, 22, 24, 28, 33, 34



www.paulmann.com/symbols

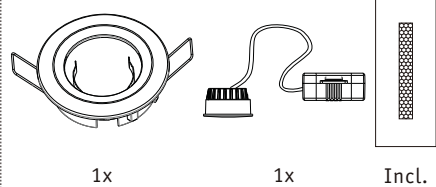
Paulmann Licht GmbH  
Quezinger Feld 2  
31832 Springe  
Germany

www.paulmann.com

Art.-Nr.: 934.57/58  
934.59/60  
934.63/61  
934.62  
944.73  
(+MA326) PSU 07/22



934.57/934.59

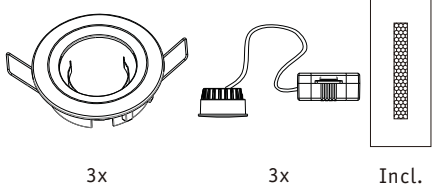


1x

1x

Incl.

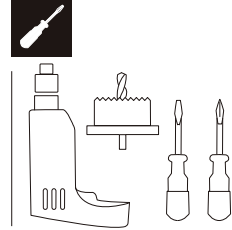
934.58/934.60/934.63/944.73



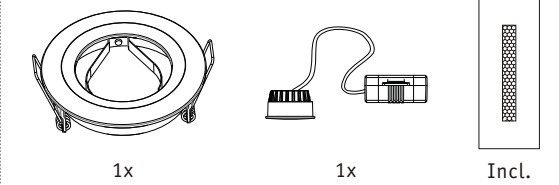
3x

3x

Incl.



934.61

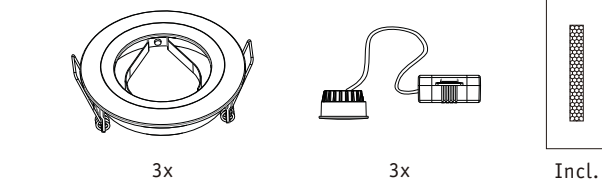


1x

1x

Incl.

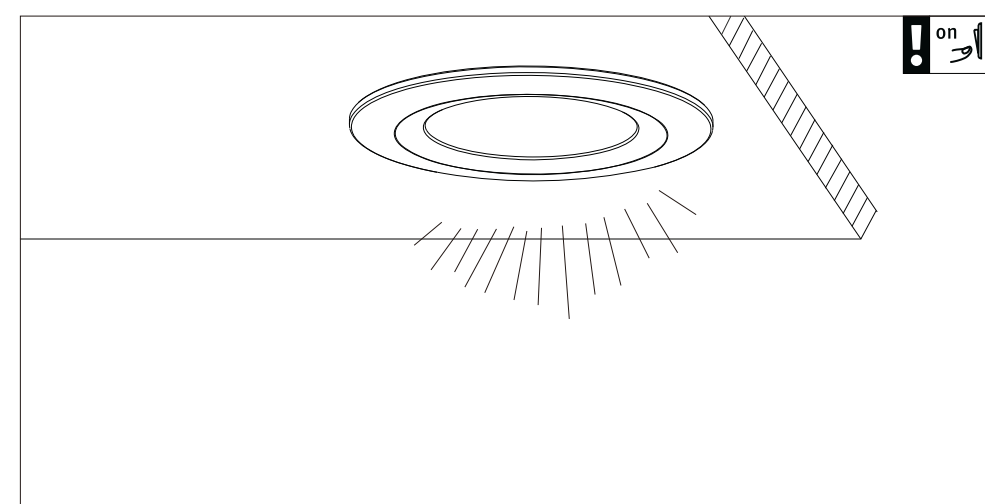
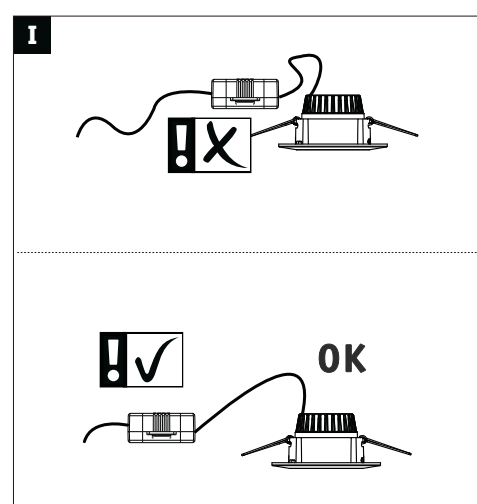
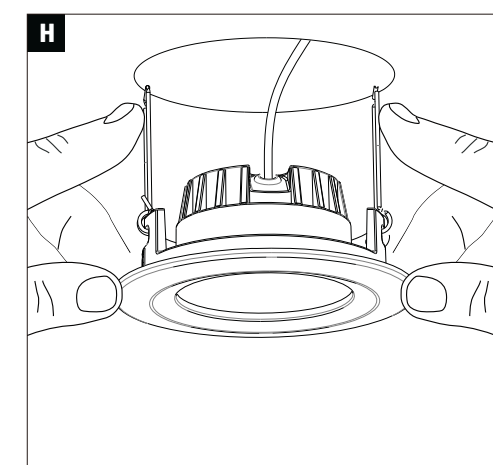
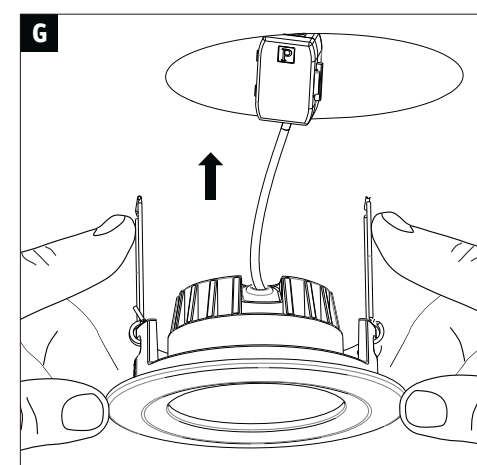
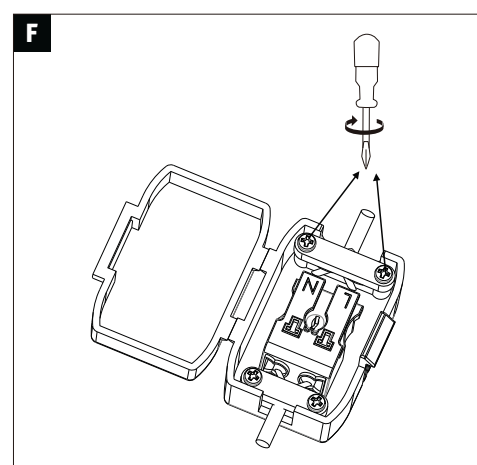
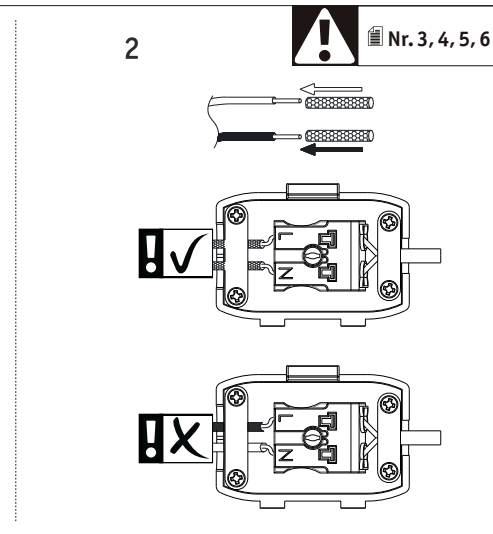
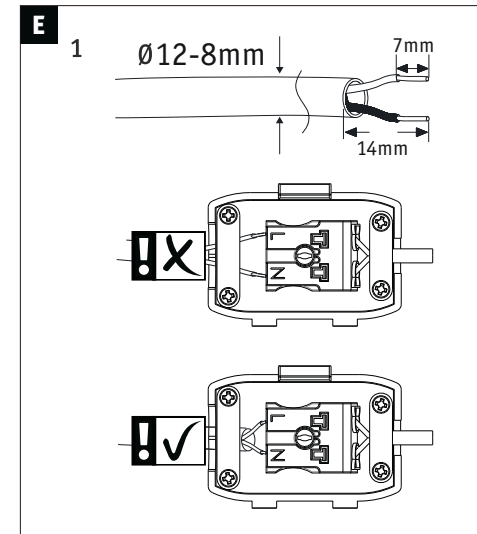
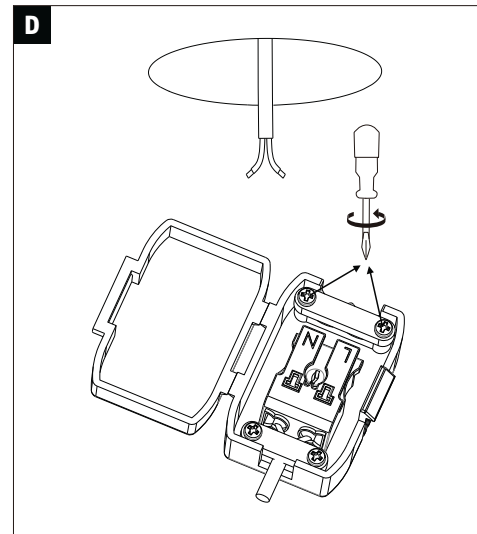
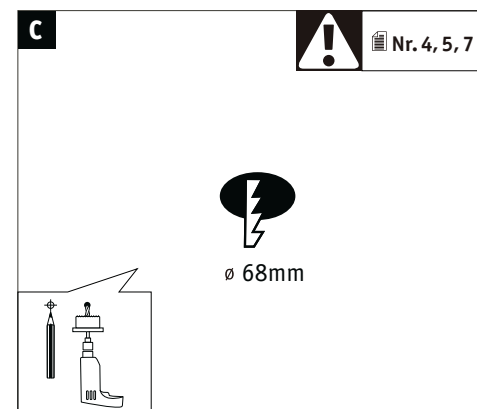
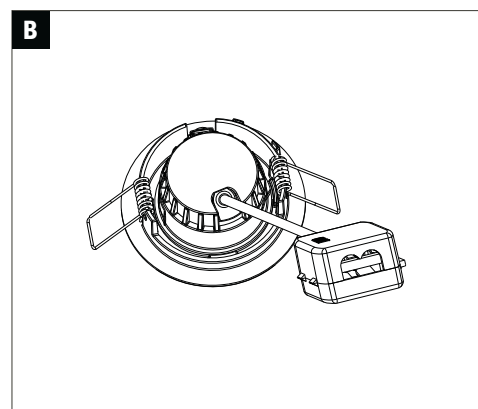
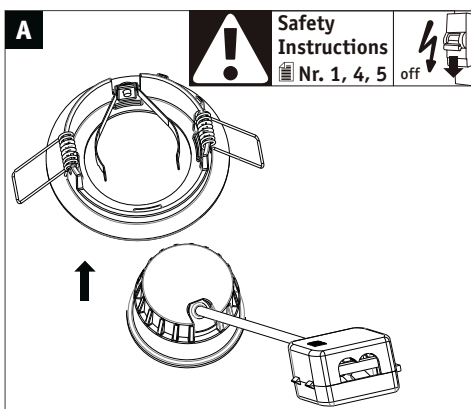
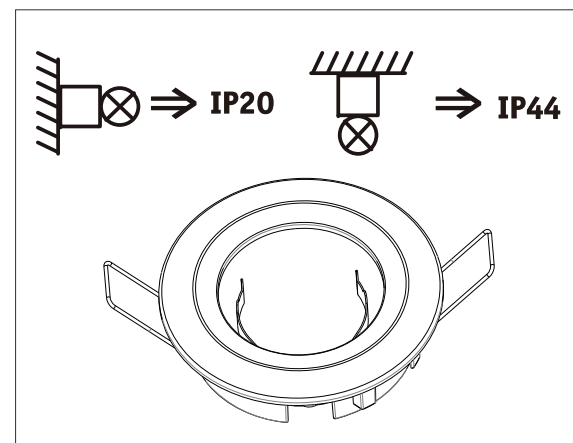
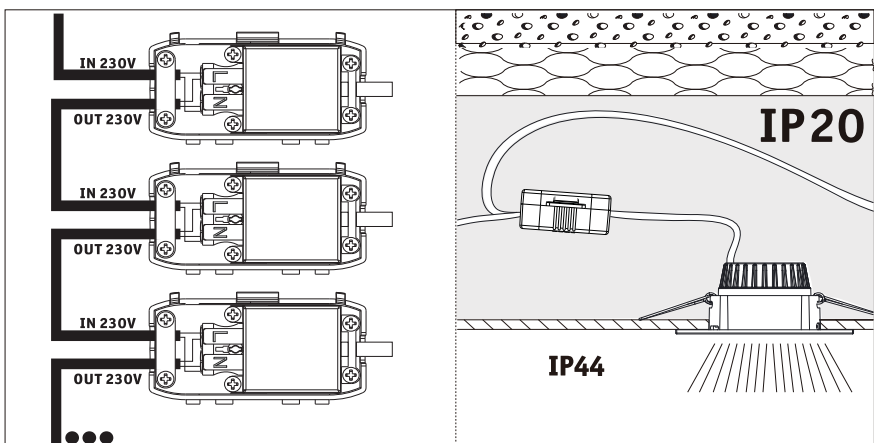
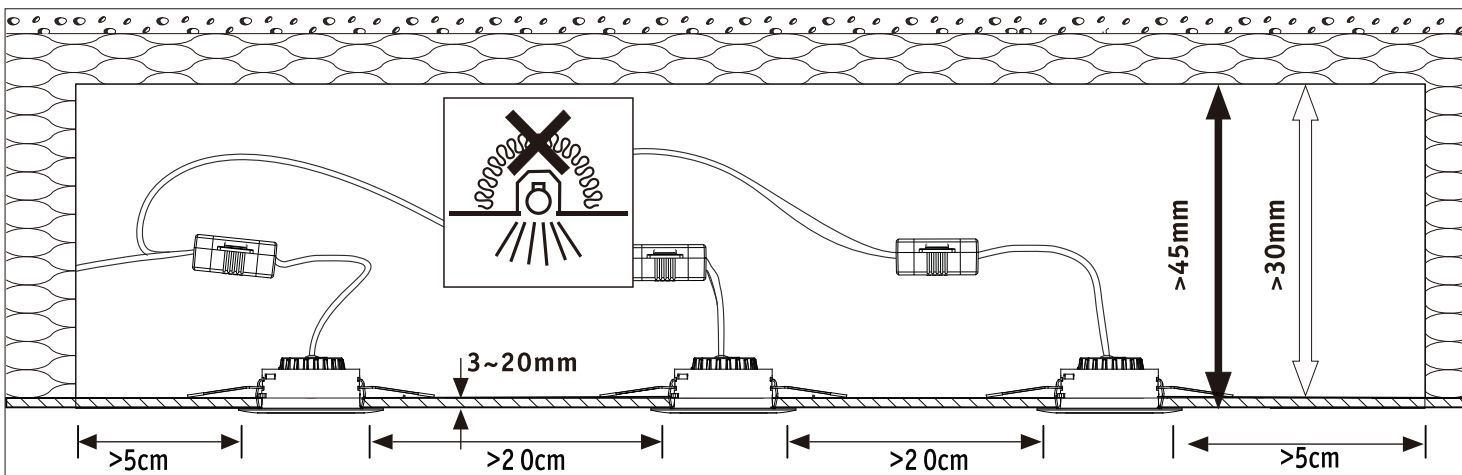
934.62



3x

3x

Incl.



**ENERGY CLASS G**

Paulmann

470 lm  
6W  
230 V

warm white  
2700K

CRI/Ra ≥ 85

ON OFF >50.000

Lumen 60% 2 s

≈30x 1.000h

Ø 51 mm

6 kWh/1000h

2019/2015

CE UK CA

390093069

